

## TECHNICAL OVERVIEW

The ZBARLED will dim LED, CFL and Tungsten. The advanced technology used to control the waveform results in flicker free\* dimming of leading and trailing edge dimmable lamps & drivers. It is designed to fit both new and existing installations.

The product has built in thermal protection and will automatically reset when cool. It also has built in short circuit and overload protection if the unit detects a fault it will automatically shut down and will require the supply being switched off and the fault rectifying before switching on the supply.

Control of the unit can be made via a Zano rotary controller, where up to 32 rotary controllers can be connected in parallel to one ZBARLED. Alternatively, control can be made via two different types of push to make retractive switches; the first type being push to make only, the second type being a rocker push up and down. Each controller or switch may be connected on existing twin and earth wiring.

## SPECIFICATION

LED Compatible?	Yes
Halogen Compatible?	Yes
LV Compatible	Yes
Dimming Operation	Rotary Controller
	Momentary Switch
	Push To Make
	Push Up / Down
Soft Start	Yes
Short Circuit Protection?	Yes
Overload Protection?	Yes
Thermal Protection?	Yes
Minimum Level Pre Set?	Yes
Operation Noise	-110 dBA
Power Consumption	2 Watts
Supply Voltage	230 V
Frequency Range	50 HZ
Max Operating Temp	50° C
Humidity Range	95% Non Condensing
Max Ambient Temp	35° C
Min Ambient Temp	-5° C
Max Load	300 W
Min Load	0 W
Termination	Pre Terminated 8 core 0.75 flex
Protection	IP40
Country Of Origin	U.K.

## FEATURES

- Flicker Free & Silent
  - Up to 32 Rotary Controllers\*
  - No Commissioning
  - No Rewiring Required
  - Easy To Install
  - LV, CFL & Tungsten
  - Short Circuit Protection
  - Protects LED Lamp Life
  - Made In The U.K.
  - Technical Helpline
  - Fit & Forget.
  - Will fit through min Hole 62 mm ø
  - Compatible with retractive push to make switches
- \* Zano rotary controller available separately

## PART CODES

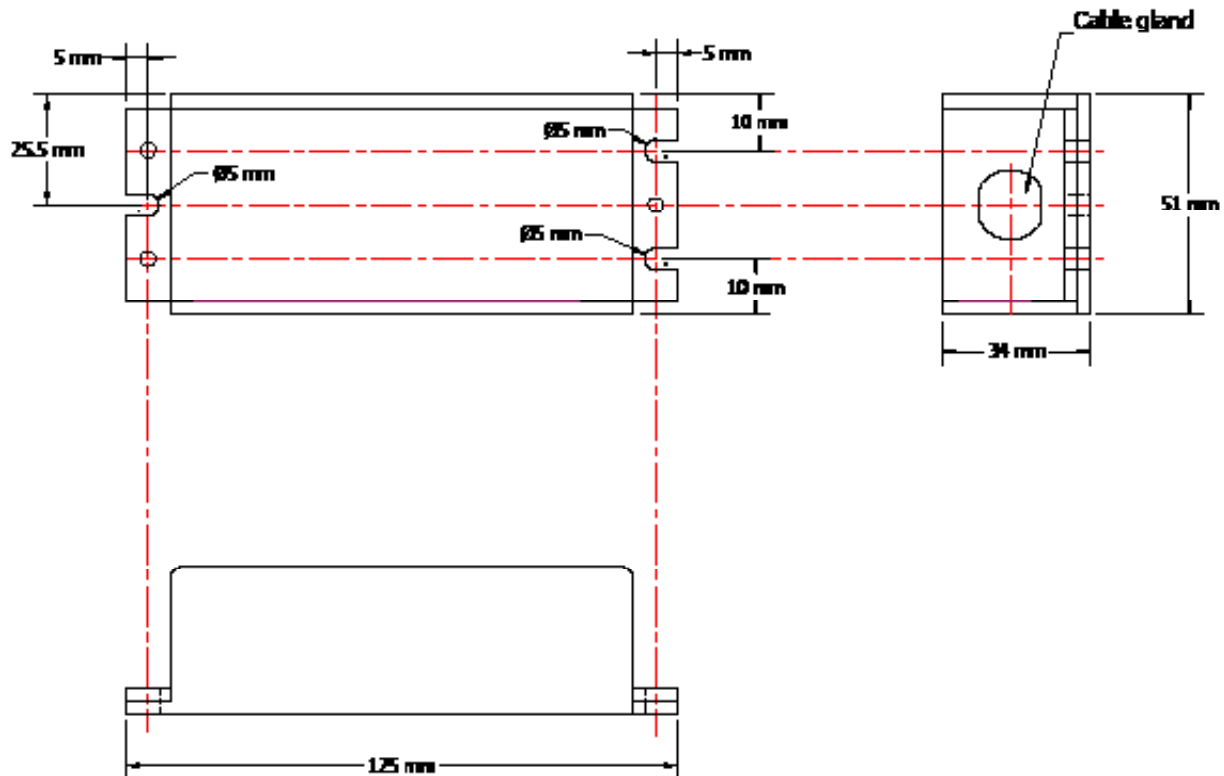
PRODUCT	CODE
Remote dimming pack	ZBARLED300



### INSTALLATION MUST BE CARRIED OUT BY A QUALIFIED ELECTRICIAN

- This product must be installed in accordance with the relevant wiring regulations.
- Switch off mains supply
- Decide on a suitable location for the dimmer pack with adequate ventilation and ensure the dimmer is mounted away from insulation
- If multiple units are mounted within close proximity, ensure a 15mm gap between units
- Commence connections as per appropriate wiring diagrams and in accordance with the relevant wiring regulations

\* Zero flicker on all tested lamps.



## Rotary Controller Operation

Push on and off, turn control knob clockwise to increase light load, anti-clockwise to decrease light load. Note : When dimming your lights with multiple rotary controllers the light levels are adjusted from the last setting selected at that switch point.

### SETTING THE MINIMUM LEVEL PRE-SET (MLP)

- Turn light on and turn control knob fully clockwise for full brightness.
- Press to turn off.
- Turn control knob fully anti clockwise and press to turn on, the lights will then flash and the dimmer is in programming mode.
- Rotate the control knob to adjust the light level.
- Once you have achieved the desired minimum level, leave the control knob for 5 seconds and the lights will then flash, the dimmer has then stored the minimum level.

## Retractive / Push To Make Single Switch Operation

- A brief press of the switch will bring the lights on or off.
- Push and hold the switch and the light level will increase until they reach maximum.

- Release the switch, push and hold again.
- The light level will decrease until they reach the minimum.
- A single press will turn the lights on or off.
- The lights will come on at their last setting.

### SETTING THE MINIMUM LEVEL PRE-SET (MLP)

- Press and hold the switch until the lights are at maximum.
- Release the switch, instantly press and hold the switch again. The lights will dim down. Hold the switch in for a further 5 seconds, the lights will then flash.
- You are now in programming mode.
- Adjust light level by pressing the switch.
- You can press the switch as many times as you like. Each time the switch is pressed, the lights will dim in the opposite direction. If the switch is not pressed for a period of 5 seconds the lights will flash and the dimmer is out of programming mode.

## Retractive Up & Down Switch Operation

- As above, but with the added feature of having a separate switch for up and down.

### SETTING THE MINIMUM LEVEL PRE-SET (MLP)

- As above, but using the separate switch position for up and down.