

ZANO ROTARY CONTROLLER WIRING INSTRUCTIONS & GUIDELINES

TECHNICAL OVERVIEW

ZANO CONTROLLERS

These controllers are specifically designed to control our ZBAR remote dimmers, the unit is not a dimmer itself and will not work as a stand-alone product. It is suitable for use with our ZBARLED300, ZBARLED1000 and ZBAR1-10V.

MULTIPLE DIMMERS & SWITCHES

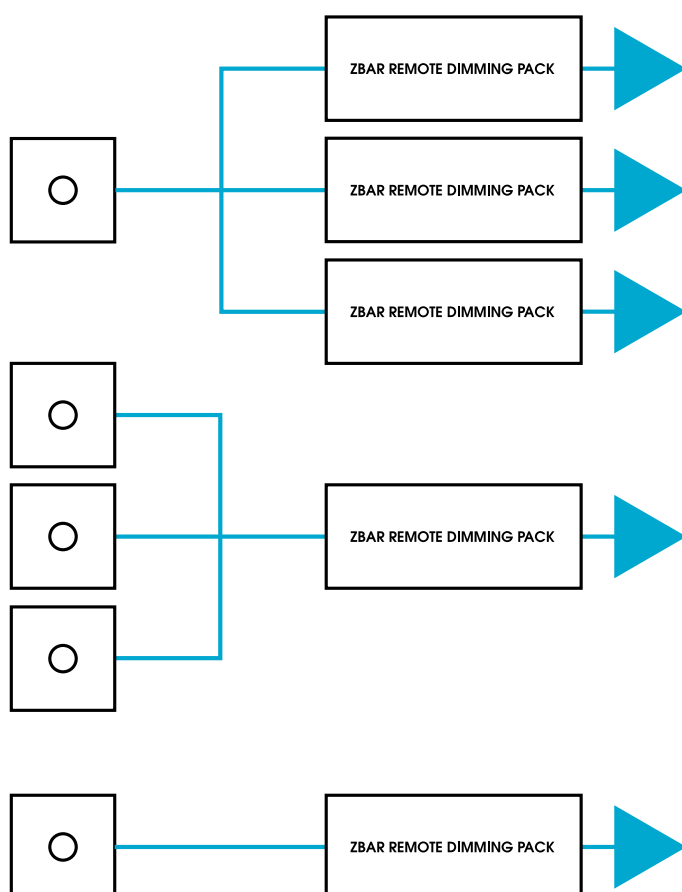
Pair a single ZBAR with 1 controller, or wire multiple ZBARS in parallel for larger loads. Add extra controllers to the circuit as required. Please note that when dimming your lights with more than one rotary controller connected, the light levels are adjusted from the last level selected at that switch point.

ZBARLED300/ZBARLED1000

Ideal for LED, and also suitable for CFL, LV and Tungsten loads. Control with Zano rotary controls or generic retractive switches.

ZBAR1-10V

Designed for use with the 1-10V dimming method, the dimmer can be controlled with a Zano rotary controller for excellent results guaranteed. Generic retractive switches may be used instead, but results may vary depending on switch quality.



SETTING THE MINIMUM LEVEL

SETTING THE MINIMUM LEVEL PRESET :

1. Turn on the lights and turn control clockwise to full brightness.
2. Press to turn off.
3. While off, turn control knob fully anti clockwise.
4. Press again to turn on. The lights will flash to indicate that you are now in programming mode.
5. Select the minimum light level required.
6. Release the control and wait for 5 seconds. The lights will flash again to indicate the minimum level has been stored.
7. You now have the option to set the start level (see below) or simply wait until the lamps flash once more indicating that normal dimmer operation is resumed.

SETTING THE START LEVEL

After following points 1-6 above, you then have 5 seconds to begin. Select the level needed for your lamps to turn on consistently, then release the control and wait for another 5 seconds. The lights will flash once more to indicate both levels have been stored and normal dimmer operation is resumed.

The BOOST FEATURE

Some LED's require so much energy to start up that we've added another feature called the boost. If you find that the lamps do need this, simply set the start level to maximum and the boost is activated, giving the lamps an extra kick start to get going, after which they will smoothly adjust and operate as normal.

ZANO CONTROLLER SPECIFICATIONS

PART NO.	DESCRIPTION
ZMOBARCR	ROTARY CONTROLLER MODULE
ZGRIDBARCR	GRID ROTARY CONTROLLER
ZGRIDBARCRBLK	BLACK GRID ROTARY CONTROLLER
ZWHBARCR	PLATED ROTARY CONTROLLER

ZBARLED REMOTE DIMMER SPECIFICATIONS

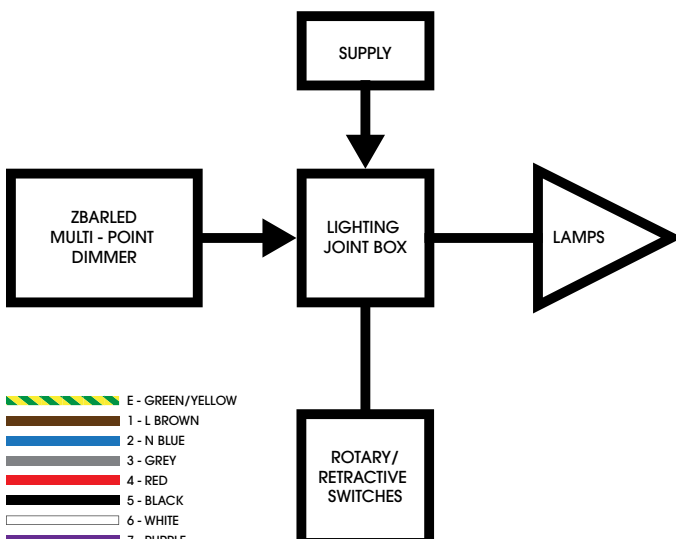
PART NO.	ZBARLED300	ZBARLED1000
DESCRIPTION	IN-LINE REMOTE DIMMING PACK	
LAMP TYPE	ANY MAINS DIMMABLE LAMP	
MAX WATT	300W / VA	1000W / VA
MIN WATT	0W	0W
SIZE (mm)	125 X 51 X 34mm	

INSTALLATION MUST BE CARRIED OUT BY A QUALIFIED ELECTRICIAN

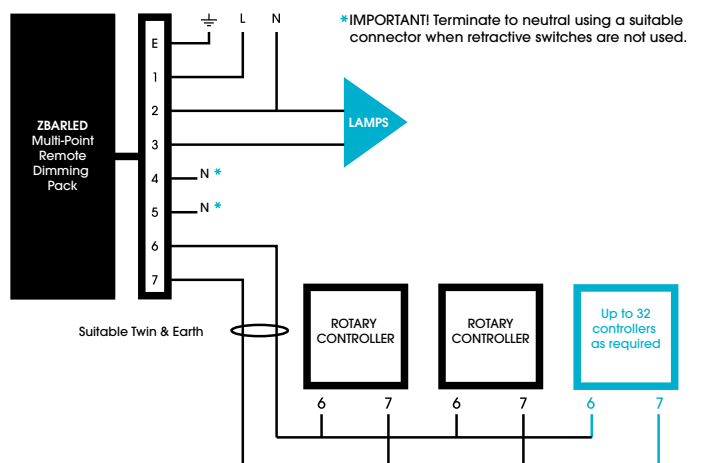
- This product must be installed in accordance with the relevant wiring regulations.
- Switch off mains supply.
- Decide on a suitable location for the dimmer pack with adequate ventilation and ensure the dimmer is mounted away from insulation.

- If multiple units are mounted within close proximity, ensure a 15mm gap between units
- Commence connections as per appropriate wiring diagrams and in accordance with the relevant wiring regulations.
- Incorrect wiring may result in product failure and / or irreparable damage to the product.

GENERAL WIRING DIAGRAM



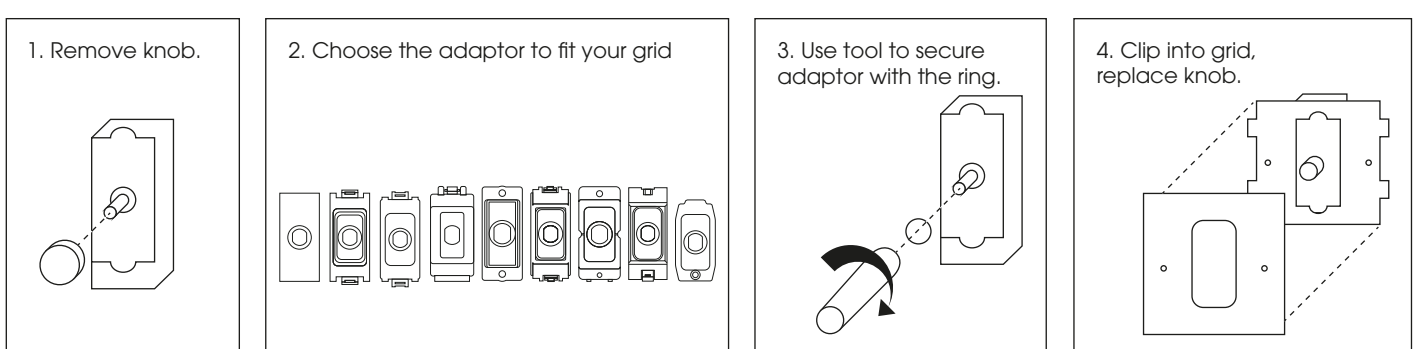
WIRING WITH ROTARY CONTROLLERS



- Turn off the mains at distribution board
- Wire device using a suitable rated cable as in wiring diagrams.
- Terminals should be tightened to a maximum of 0.33Nm.
- Check polarity is correct throughout.

- Fit appropriate adaptor as in assembly diagrams.
- Fit device into wall box ensuring cables are not obstructed.
- Secure front plate.
- Product should be recycled at end of life where facilities exist.

DETA SCHNEIDER LISSE BG WANDSWORTH MK LOGIC HAMILTON HAGER CRABTREE EURO MODULE



CONTACT OUR FRIENDLY TEAM

Unit 1 Chantry Court,
Wrythe Lane,
Carshalton,
Surrey,
SM5 2DG

Call : 0845 519 5858
Fax : 0845 519 5757
sales@zanocontrols.co.uk
www.zanocontrols.co.uk

WHAT'S IN THE BOX

- 1 Single space grid module
- 1 Standard size control knob
- 1 Locking Ring
- 1 Locking ring tool
- 9 Grid adaptors

ABOUT ZANO CONTROLS

We are award winning manufacturers of LED dimming solutions and pride ourselves on providing fast, friendly, expert advice. Call us now on 0845 519 5858 for the answer to LED dimming. For our full range of products, technical advice & instructional films or to find your nearest stockists please see our website.

GUARANTEE

For lamp test results and our full terms and conditions please see our website: www.zanocontrols.co.uk.