

ZANO GRID 1-10V

The Zano Grid 1-10V modules have been designed and tested to work with a range of high frequency 1-10V electronic ballasts and LED drivers. A maximum of 70 ballasts or LED 1-10 V drivers can be controlled from a single device. Please use a ballast manufacturer from the list below. Some digital 1-10 V ballasts require a DSI Interface.

RECOMMENDED MANUFACTURERS

Aurora..... Tridonic..... Helvar Huco
 Magnetek Osram..... Philips HFR..... Atlas
 Collingwood Megaman Vossloh Schwabe

If you require any assistance with product selection or technical support, please contact our friendly team on **0845 519 5858**

GUIDANCE NOTES

Due to the large inrush current from switch on, care has to be taken to ensure the installation is carefully designed to accommodate such load characteristics. For example: Tridonic have listed out in table form a recommended number of ballasts per circuit. For example, 10A MCB could have a maximum of 10, PCA 1/58 EXCEL. To see the full list go to www.tridonicatco.com. Other manufacturers also publish the relevant data to assist in the design of an installation. This product must be used in conjunction with a suitable rocker switch.

The DC + & - connections should be made using a screened cable where the screen is linked and connected to ground at one end. For fluorescent tubes, we would recommend leaving the lamps at full brightness for 100 hours minimum, for example, 10 hours a day for 10 days. Some makes of tube may require longer. This will help reduce the flicker at low levels of dimming. This does not apply to 1-10 V LED drivers

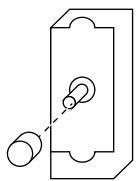
This product should be disposed of properly and recycled at the end of its life where facilities exist.

INSTALLATION MUST BE CARRIED OUT BY A QUALIFIED ELECTRICIAN


- Turn off the mains at distribution board
- Wire device using a suitable rated cable as in wiring diagrams.
- Terminals should be tightened to a maximum of 0.33Nm.
- Check polarity is correct throughout.
- Fit appropriate adaptor as in assembly diagrams.
- Fit device into wall box ensuring cables are not obstructed.
- Secure front plate.
- Product should be recycled at end of life where facilities exist.


A. DETA B. SCHNEIDER ELECTRIC (GET) C. BG D. WANDSWORTH E. MK LOGIC F. HAMILTON J. HAGER H. CRABTREE


1. Remove knob.





2. Choose the adaptor to fit your grid


A

DE


B

GE


C

BG

D

WW

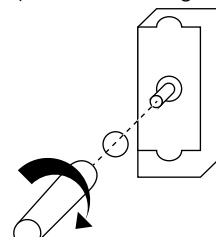
E

MK

F

HA

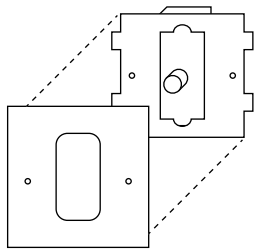
J

HG

H

CR

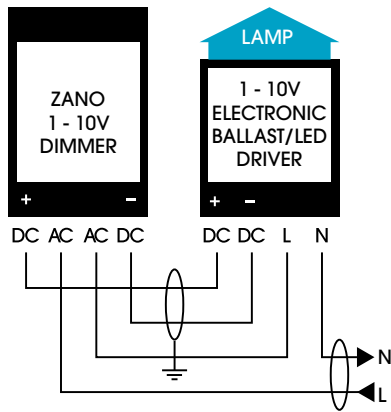
3. Use tool to secure adaptor with the ring.



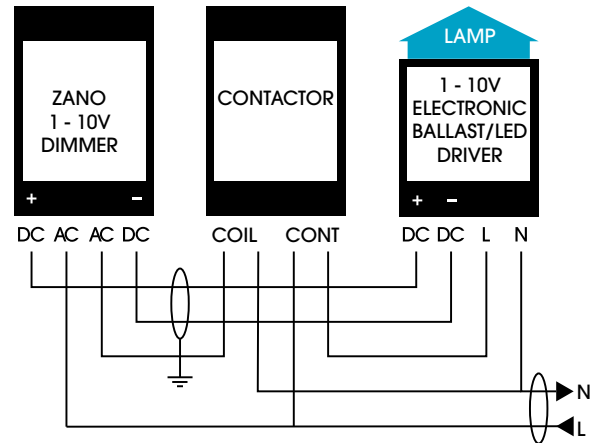
4. Clip into grid, replace knob.



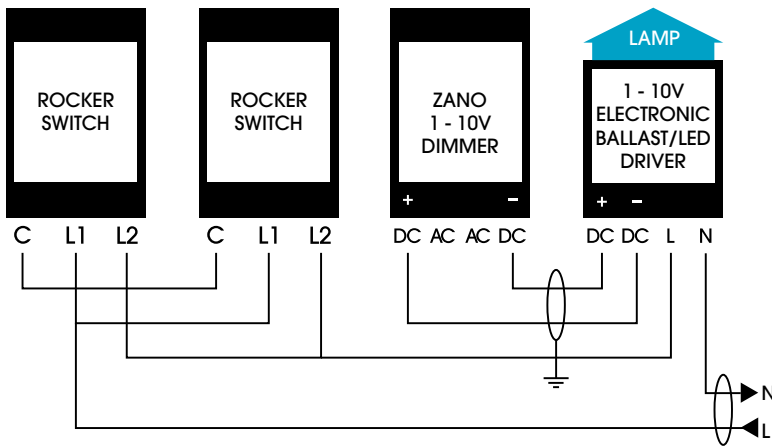
USING LESS THAN 7 BALLASTS OR LED DRIVERS



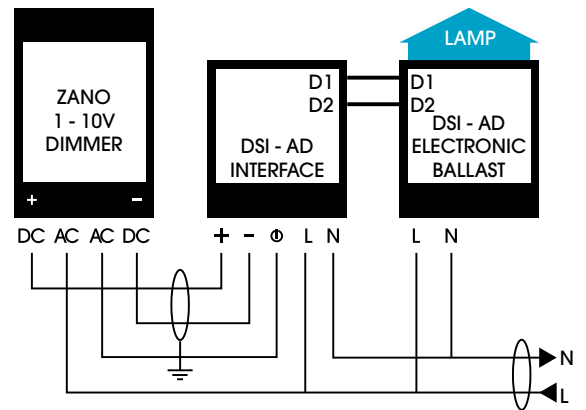
USING MORE THAN 7 BALLASTS OR LED DRIVERS



2-WAY SWITCHING USING LESS THAN 7 BALLASTS OR LED DRIVERS



INSTALLATION CONVERTING FROM 1-10V TO DSI



 FOR LOW VOLTAGE CONTROL USE A 0.75MM² TWO CORE SCREENED CABLE, EARTH AT ONE END

CONTACT OUR FRIENDLY TEAM

Unit 1 Chantry Court,
Wrythe Lane,
Carshalton,
Surrey,
SM5 2DG

Call : 0845 519 5858
Fax : 0845 519 5757
sales@zаноcontrols.co.uk
www.zаноcontrols.co.uk

ABOUT ZANO CONTROLS

We are award winning manufacturers of LED dimming solutions and pride ourselves on providing fast, friendly, expert advice. Call us now on 0845 519 5858 for the answer to LED dimming. For our full range of products, technical advice & instructional films or to find your nearest stockists please see our website.

GUARANTEE

For lamp test results and our full terms and conditions please see our website: www.zanocontrols.co.uk.