

For optimum performance the dimmer must be put into programming mode to calibrate the load

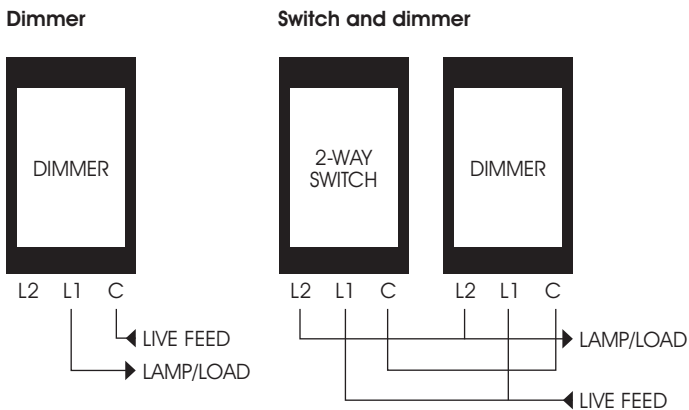
## ZGRIDLED150

Next generation 0-150W dimming

## ZGRIDLED+

Intelligent 5-250W LED dimming

### WIRING INSTRUCTIONS



### INSTALLATION

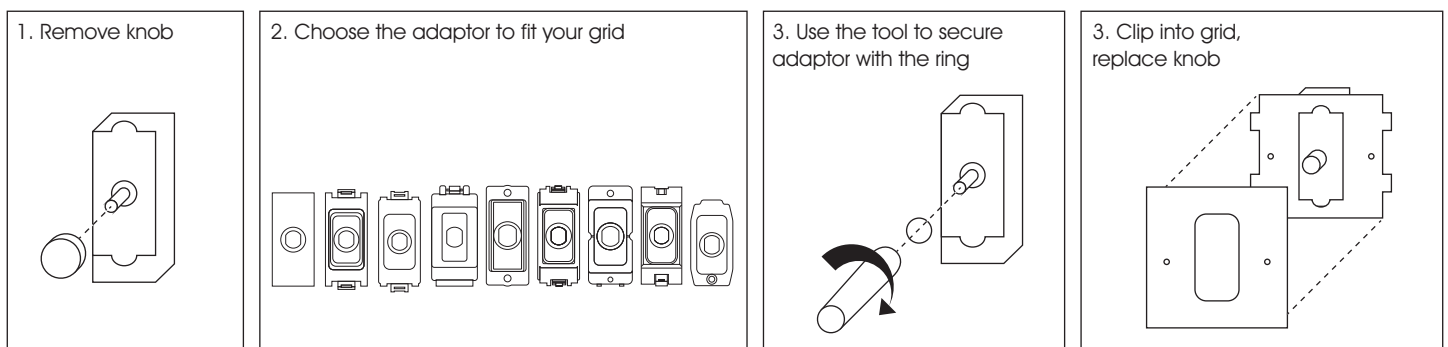
**NB: Installation must be carried out by a qualified electrician**

- Turn off the mains at distribution board
- Wire device using a suitable rated cable as in wiring diagrams
- Terminals should be tightened to a maximum of 0.33Nm
- Check polarity is correct throughout
- Fit appropriate adaptor as in assembly diagrams
- Fit device into wall box ensuring cables are not obstructed
- Secure front plate
- Product should be recycled at end of life where facilities exist

### SMART SETTINGS INSTALLATION GUIDE

Please read through before you begin...

1. Turn on the lights and turn control clockwise to full brightness
2. Press to turn off
3. While off, turn the controller fully anti-clockwise
4. Press again to turn on. The lights will flash to indicate that you are now in programming mode
5. Select the minimum light level required
6. Wait 5 seconds. The lights will flash again to indicate the minimum level has been stored
7. You are now going to set the start level – turn controller clockwise to a brighter level
8. Wait 5 seconds. The lights will flash again to indicate the start level has been stored
9. The lights will now come on at maximum brightness
  - a. If flicker is seen, adjust the controller down until the flicker stops and again, wait 5 seconds for the settings to be stored
  - b. If you are unable to see any flicker wait 5 seconds and the lights will flash confirming all smart settings have been saved
10. Your dimmer is now set and ready to use. All settings will be saved even if the power is switched off



## SPECIFICATIONS

PART NO.	ZGRIDLED150	ZGRIDLED+
MODULE SIZE	SINGLE GRID	SINGLE GRID
LAMP TYPE	LED/CFL	LED/CFL
MAX WATT	150W / VA	250W / VA
MIN WATT	0W / VA	5W / VA
MIN BOX DEPTH	35 MM	35 MM
2-WAY SWITCHING	YES	YES
NEED TO DE-RATE TO 160W / VA	N/A	YES, IF FITTING 2 OR MORE PER PLATE

## MAXIMUM PLATE LOAD RECOMMENDATIONS

COVER PLATE SIZE	CFL	LED
SINGLE PLATE	500W	500W
DOUBLE PLATE	640W	640W
6-8 GANG	1280W	1280W

## WHAT'S IN THE BOX?

- 1 single space grid module
- 1 standard size rotary control knob
- 1 locking ring
- 1 locking ring tool
- 9 grid adaptors (to fit Hager, Euro Module, Schneider Lisse, MK Logic, Hamilton, Crabtree, BG, Deta, Wandsworth)

We are award-winning manufacturers of LED dimming solutions and pride ourselves on providing fast, friendly, expert advice.

For our full range of products, technical advice & instructional films or to find your nearest stockists please see our website.

### GUARANTEE

For lamp test results and our full terms and conditions please see our website: [www.zanocontrols.co.uk](http://www.zanocontrols.co.uk).

## PRODUCT OVERVIEW

The ZGRIDLED range of dimmers has been specifically designed to dim LED lamps. The advanced technology used to control the load results in flicker-free dimming of lamps and drivers. This technology also eliminates the need to differentiate between leading and trailing edge lamps. It works with either! All our LED dimmers have built-in thermal and over-load protection, as well as smart settings. It is essential before making connections to check the load against the table to ensure it meets the specification of the dimmer switch.

### CONTACT OUR FRIENDLY TEAM

Call: **0345 519 5858**

Fax: **0845 519 5757**

Email: [sales@zanocontrols.co.uk](mailto:sales@zanocontrols.co.uk)

[www.zanocontrols.co.uk](http://www.zanocontrols.co.uk)

Zano Controls, Unit 1 Chantry Court, Wrythe Lane, Carshalton, Surrey, SM5 2DG