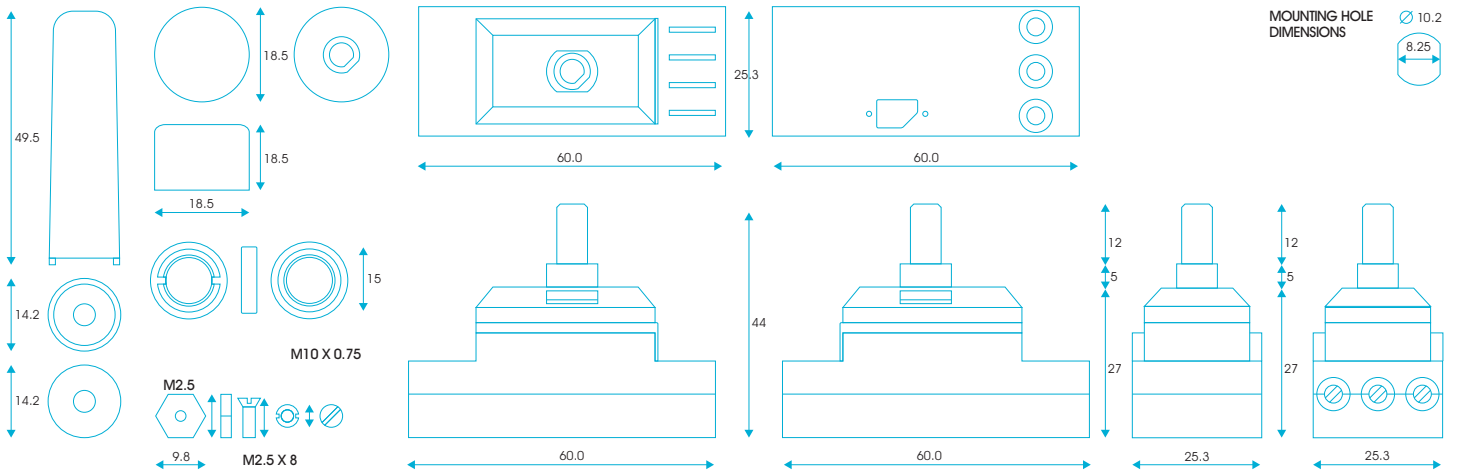


Contact us at Zano Controls,  
 Unit 1 Chantry Court,  
 Wrythe Lane,  
 Carshalton,  
 Surrey,  
 SM5 2DG.  
 Tel: 0330 058 0010  
 Fax: 0845 519 5757  
 email: sales@zanocontrols.co.uk



ZSMARTLED DATA SHEET: **GRID**  
 MADE IN GREAT BRITAIN



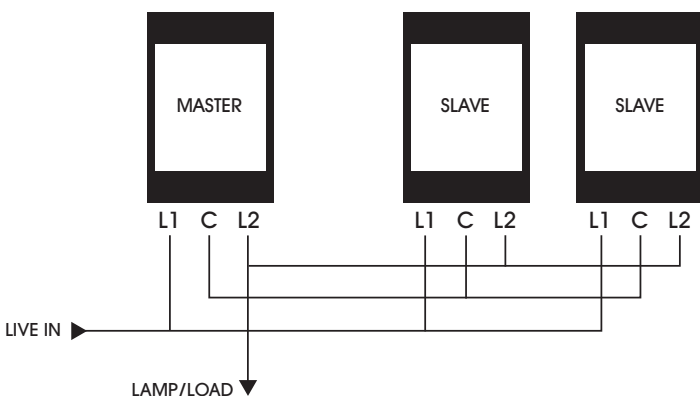
COMPATIBLE LOAD TYPE	LED
2-WAY SWITCH	YES
ON / OFF OPERATION STYLE	PUSH ON / PUSH OFF
DIMMING OPERATION	ROTARY

OVERLOAD PROTECTION	YES
SMART SETTINGS	YES
DB NOISE DURING OPERATION	-110 DBA
SOFT START	YES
SUPPLY VOLTAGE	110V – 240V AC
FREQUENCY RANGE	40 – 50Hz +/-10%
OPERATING TEMPERATURE UNDER FULL LOAD	70°C
RH RANGE	95% NON CONDENSING
MAX AMBIENT TEMPERATURE	40°C
MINIMUM AMBIENT TEMPERATURE	0°C
MAX LOAD	250W/VA
MIN LOAD	5W/VA
TERMINAL TORQUE MAX SETTING	0,4 NM
MAX TERMINAL CAPACITY	3mm
MAX SWITCHING CAPACITY	4A RESISTIVE

**MAXIMUM PLATE LOAD RECOMMENDATIONS**

COVER PLATE SIZE (WXH)	LED
SINGLE GANG 76MM X 76MM	250W/VA
DOUBLE GANG 137MM X 76MM	640W/VA

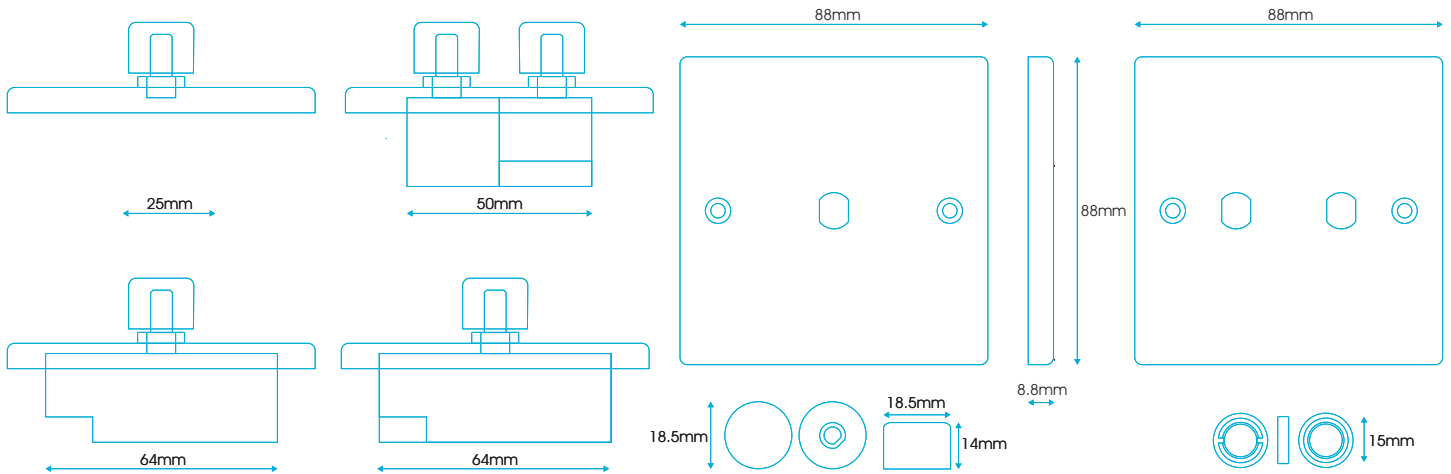
**1 OR 2 SLAVES CAN BE CONNECTED**



Contact us at Zano Controls,  
 Unit 1 Chantry Court,  
 Wrythe Lane,  
 Carshalton,  
 Surrey,  
 SM5 2DG.  
 Tel: 0330 058 0010  
 Fax: 0845 519 5757  
 email: sales@zanocontrols.co.uk



ZSMARTLED DATA SHEET: RAISED METAL  
 MADE IN GREAT BRITAIN



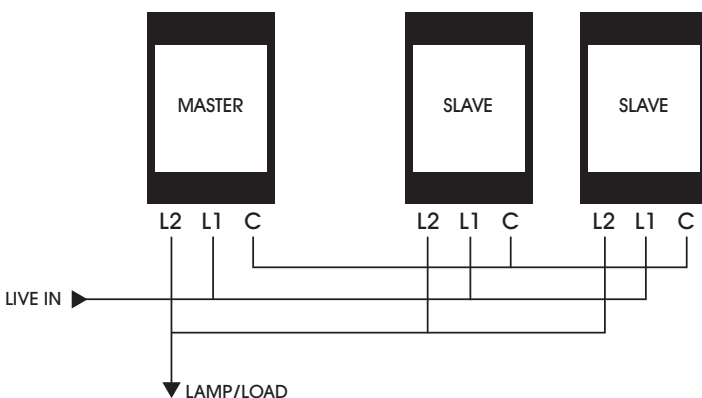
COMPATIBLE LOAD TYPE	LED
2-WAY SWITCH	YES
ON / OFF OPERATION STYLE	PUSH ON / PUSH OFF
DIMMING OPERATION	ROTARY

PLATE MODULES	120W
1 GANG	1 X 120W
2 GANG	2 X 120W

PROTECTION	OVERLOAD/THERMAL
SMART SETTINGS	YES
DB NOISE DURING OPERATION	-110 DBA
SOFT START	YES
SUPPLY VOLTAGE	110V – 240V AC
FREQUENCY RANGE	40 – 50Hz +/- 10%
MAX OPERATING TEMPERATURE	70°C
RH RANGE	95% NON CONDENSING
MAX AMBIENT TEMPERATURE	40°C
MINIMUM AMBIENT TEMPERATURE	0°C
MAX LOAD*	120W/VA
MIN LOAD*	5W/VA
TERMINAL TORQUE MAX SETTING	0.4 NM
MAX TERMINAL CAPACITY	3mm
MAX SWITCHING CAPACITY	4A RESISTIVE

\* Per Dimmer

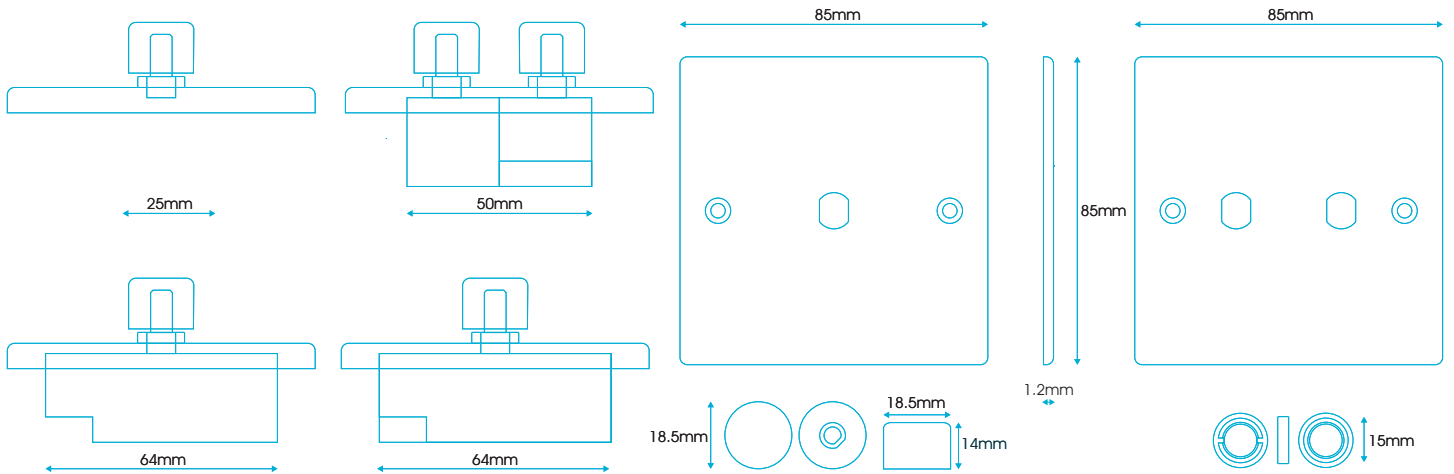
**1 OR 2 SLAVES CAN BE CONNECTED**



Contact us at Zano Controls,  
 Unit 1 Chantry Court,  
 Wrythe Lane,  
 Carshalton,  
 Surrey,  
 SM5 2DG.  
 Tel: 0330 058 0010  
 Fax: 0845 519 5757  
 email: sales@zаноcontrols.co.uk



ZSMARTLED DATA SHEET: FLAT METAL  
 MADE IN GREAT BRITAIN



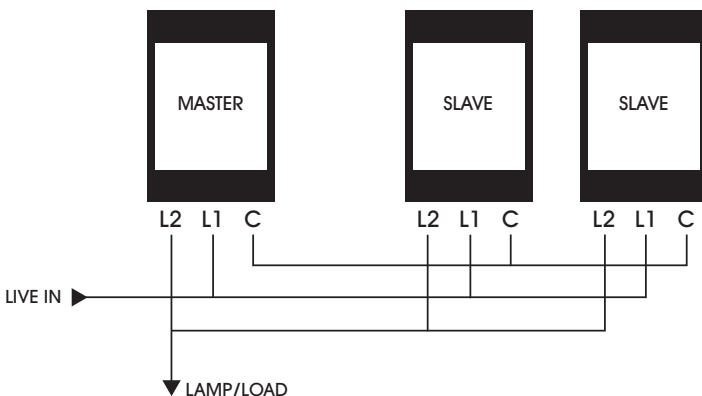
COMPATIBLE LOAD TYPE	LED
2-WAY SWITCH	YES
ON / OFF OPERATION STYLE	PUSH ON / PUSH OFF
DIMMING OPERATION	ROTARY

PROTECTION	OVERLOAD/THERMAL
SMART SETTINGS	YES
DB NOISE DURING OPERATION	-110 DBA
SOFT START	YES
SUPPLY VOLTAGE	110V – 240V AC
FREQUENCY RANGE	40 – 50Hz +/- 10%
MAX OPERATING TEMPERATURE	70°C
RH RANGE	95% NON CONDENSING
MAX AMBIENT TEMPERATURE	40°C
MINIMUM AMBIENT TEMPERATURE	0°C
MAX LOAD*	120W/VA
MIN LOAD*	5W/VA
TERMINAL TORQUE MAX SETTING	0.4 NM
MAX TERMINAL CAPACITY	3mm
MAX SWITCHING CAPACITY	4A RESISTIVE

PLATE MODULES	120W
1 GANG	1 X 120W
2 GANG	2 X 120W

\* Per Dimmer

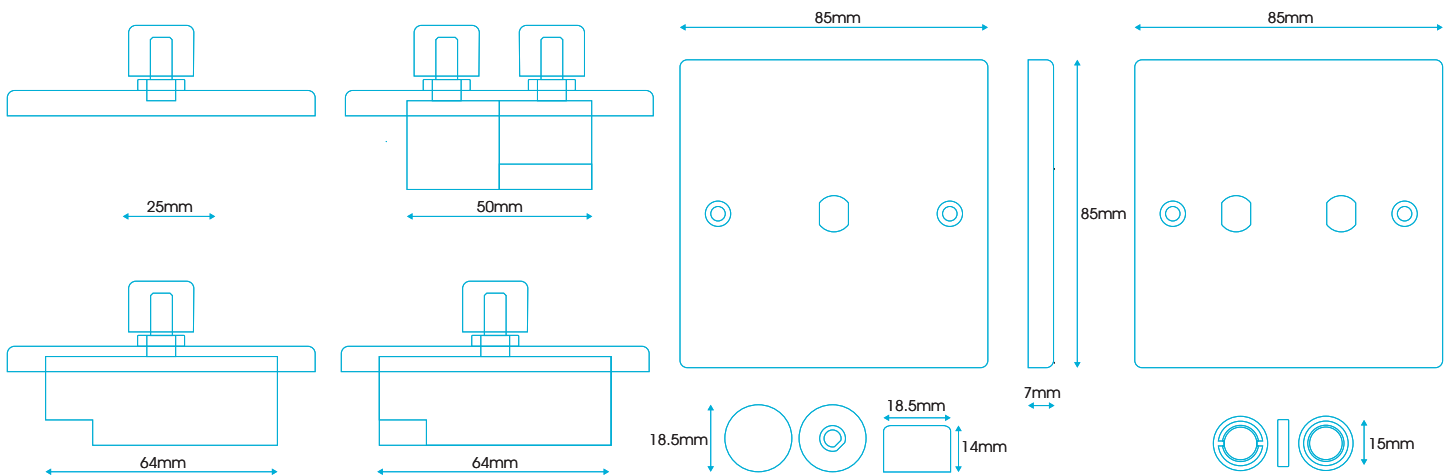
**1 OR 2 SLAVES CAN BE CONNECTED**



Contact us at Zano Controls,  
 Unit 1 Chantry Court,  
 Wrythe Lane,  
 Carshalton,  
 Surrey,  
 SM5 2DG.  
 Tel: 0330 058 0010  
 Fax: 0845 519 5757  
 email: sales@zanocontrols.co.uk



ZSMARTLED DATA SHEET: SLIMLINE WHITE PLASTIC  
 MADE IN GREAT BRITAIN



COMPATIBLE LOAD TYPE	LED
2-WAY SWITCH	YES
ON / OFF OPERATION STYLE	PUSH ON / PUSH OFF
DIMMING OPERATION	ROTARY

PLATE MODULES	120W
1 GANG	1 X 120W
2 GANG	2 X 120W

PROTECTION	OVERLOAD/THERMAL
SMART SETTINGS	YES
DB NOISE DURING OPERATION	-110 DBA
SOFT START	YES
SUPPLY VOLTAGE	110V – 240V AC
FREQUENCY RANGE	40 – 50Hz +/- 10%
MAX OPERATING TEMPERATURE	70°C
RH RANGE	95% NON CONDENSING
MAX AMBIENT TEMPERATURE	40°C
MINIMUM AMBIENT TEMPERATURE	0°C
MAX LOAD*	120W/VA
MIN LOAD*	5W/VA
TERMINAL TORQUE MAX SETTING	0.4 NM
MAX TERMINAL CAPACITY	3mm
MAX SWITCHING CAPACITY	4A RESISTIVE

\* Per Dimmer

### 1 OR 2 SLAVES CAN BE CONNECTED

